

DC150

Overhead Hydraulic Door Closer

80
KG

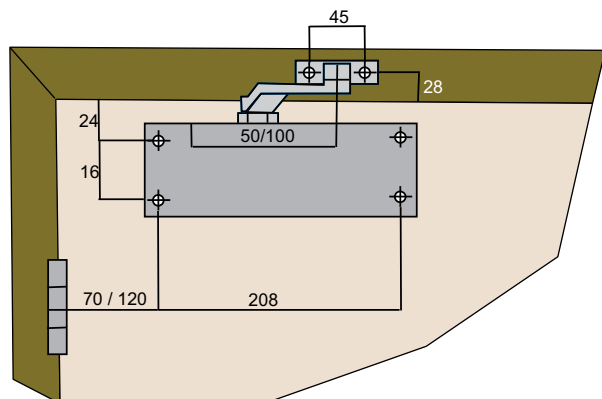


5
Years
Warranty



DC150 Groom Door Closer

Standard Installation



Application:

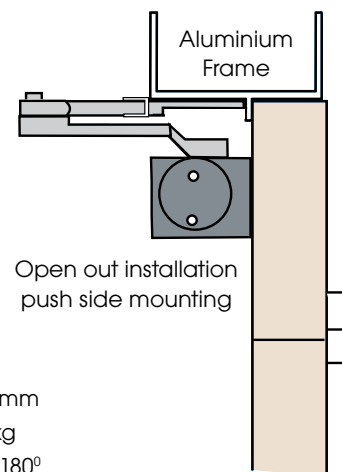
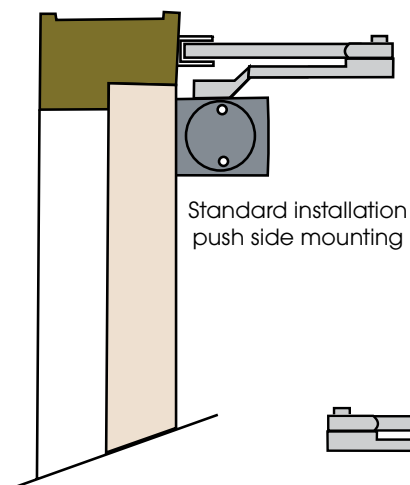
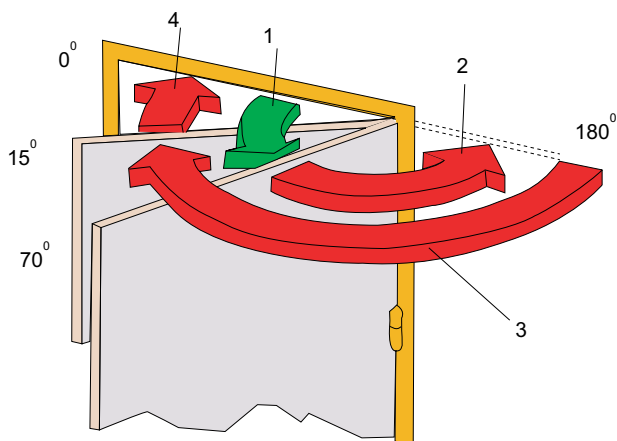
Suits all existing type doors up to 1100mm wide and a maximum weight of 80kg with a standard arm, also possible with slide arm doors up to 950mm wide and a maximum weight of 80kg.

Ordering Procedure:

9023320-DC150 Groom door closer fixed backcheck
 9023321-DC150 Groom door closer non backcheck

Door Stop:

A door stop should always be used to prevent the closer mounting from damage and the closer opening beyond its templated limit. Locate a door stop no less than $\frac{2}{3}$ of the door width away from the pivot centre.



Maximum Door Width: 1100mm
 Maximum Door Weight: 80kg
 Maximum Opening Angle: 180°

Operation and Control

Standard with activated backcheck and disengaged delayed action

- Zone 1: Standard opening of the door, up to 70°
- Zone 2: From 70° to 180° (depending on door design) the back check ensures the deceleration of the door's opening speed.
- Zone 3: Fully controlled closing up to the final 15°.
- Zone 4: Latch control adjustable by valve.

The Groom DC150 is guaranteed for five (5) years against manufacturing faults.