

SS0001 Security Stay



Doric
New Zealand

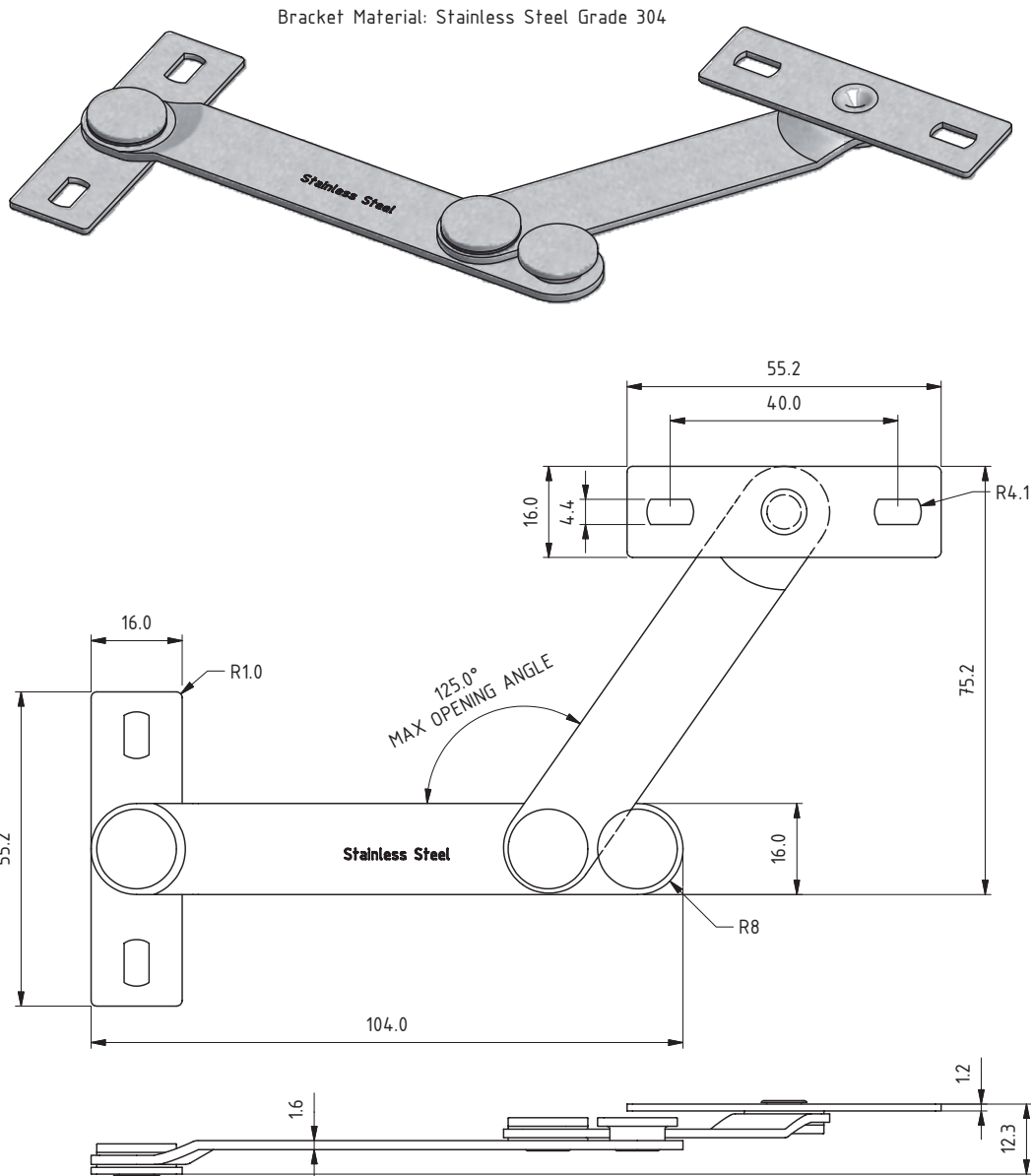
SS0001 Security Stay

Features

- Made from high quality 304 grade stainless steel
- Complies to NZS for multi-storey housing
- Fits all residential and commercial window suites
- Packers available

Technical Specifications

Material:	304 Stainless Steel
Finish:	Stainless Steel only
Product Code:	SS0001



Head Office:

Phone + 64 9 415 5535
Fax: + 64 9 415 5545

sales@doricnz.co.nz
www.doric.com.au


Doric
New Zealand