

Missouri Series

Euro-groove Multi-point System



Doric

Missouri Series Euro-groove Multi-point System

Features

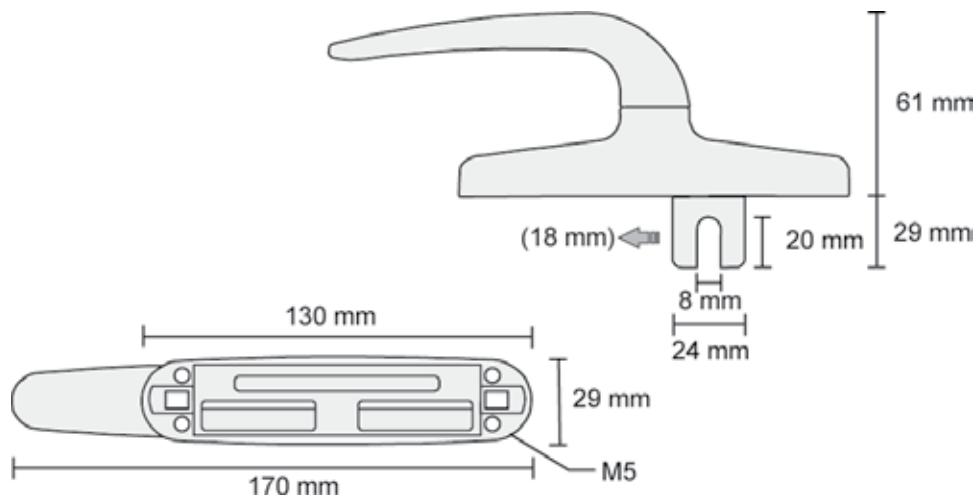
- Solidly built with quality material
- Positive and smooth handling
- Drives conner-trans and points easily
- Can be fitted on many transmission systems
- Suits most euro groove sections

Technical Specifications

Handle & Base:	Die-Cast Zinc
Tongue & gearwheel:	Die-Cast Zinc
Spring:	Steel
Base Cover:	Nylon
Finish Available:	Available in a full range of powder coat colours

Missouri Series

Model: H1



Model: H2

