

# Timbarra Series



*Innovators of Hardware for Windows & Doors*



Lever  
10



**Timbarra 10**

**Hinged Door Lever set on Plate**

DS1300/10 Round End Plate Furniture

DS1400/10 Square End Plate Furniture

*For plate range contact Doric*

Material: 316 Stainless Steel

Finish: Satin Stainless Steel (SSS)

On Request: Polished Brass (PVD)



**Timbarra 10**

**Commercial Lever Set on Plate**

DN5400/10 Round End Plate Series

DN5300/10 Square End Plate Series

*For plate range contact Doric*

Material: 316 Stainless Steel and Solid Brass

Finish: Satin Stainless Steel (SSS)

Satin Nickel (SNP)

*Made To Order*

**Turns & Escutcheons**



**Thumb Turn**  
DN303  
316 SS Cover  
Zinc Die Cast  
5mm Spindle



**Emergency Release Indicator**  
DN302  
316 SS Cover  
Zinc Die Cast  
5mm Spindle



**Thumb Turn**  
DN306  
316 SS Cover  
Zinc Die Cast  
5mm Spindle



**Emergency Release**  
DN317  
316 SS Cover  
Zinc Die Cast  
5mm Spindle



**Round Euro Profile Escutcheon**  
DN902  
316 SS Cover  
Zinc Die Cast  
54mm Diameter



**Round Oval Escutcheon**  
DN901  
316 SS Cover  
Zinc Die Cast  
54mm Diameter



**DIF Turn**  
DN305  
316 SS Cover  
Zinc Die Cast  
5mm Spindle



**Privacy Bolt**  
DN300  
Zinc Die Cast  
5mm Spindle



**Timbarra  
Sliding Door Lock**

DS3030 Lockset with two cylinders  
DS3031 Latchset  
DS3032 Lockset with external cylinder  
DS3035 Lockset with internal cylinder  
DS3038 Dummy handle  
Cover Material: 316 Stainless Steel  
Zinc  
Finish: Satin Stainless Steel (SSS)  
Powdercoat (PC)  
Stain Chrome (SCP)  
Chrome (CP)



**Timbarra 10  
Hinged Door Leverset on Rose**

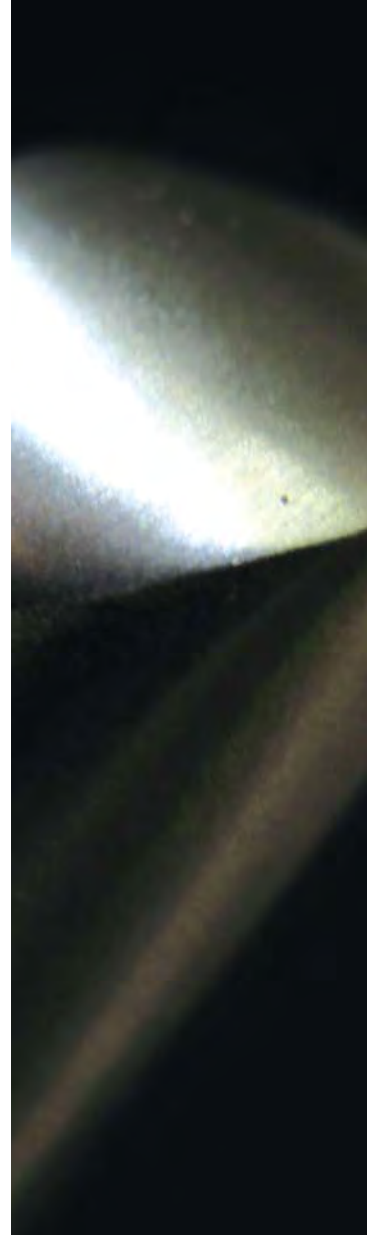
DS1160/10 Passage Set  
DS1161/10 Privacy Set  
DS1162/10 Dummy Set  
Material: Solid Cast 316 Stainless Steel  
Finish: Satin Stainless Steel (SSS)

*Sets come complete with latch bolt, latch box, striker and all fixings where applicable*



**Timbarra  
Entrance Pull Handle**

DN194 350mm Back to Back  
Material: Solid Cast 316 Stainless Steel  
Finish: Satin Stainless Steel (SSS)





## Cylinder Options

### Sliding Doors

DS155 5 Pin

### Hinged Doors

DN601 5 Pin Oval  
 DN603 Oval Turn  
 DS186 5 Pin Euro  
 DS1272 5 Pin Euro  
 DS1266 5 Pin Euro & Turn



## External Handles Sliding Door



Layback Handle without Cylinder Hole  
 DS891 Metacom™  
 DS891/2 Stainless Steel  
 DS893 Polesium™  
 Finishes: Satin Stainless Steel (SSS)  
 Satin Silver (eSilver)  
 Satin Chrome Plate (SCP)  
 Powdercoat (PC)  
 Satin Black (eBlack)  
 Chrome Plated (CP)



Layback Handle with Cylinder Hole  
 DS890 Metacom™  
 DS890/2 Stainless Steel  
 DS892 Polesium™  
 Finishes: Satin Stainless Steel (SSS)  
 Satin Silver (eSilver)  
 Satin Chrome Plate (SCP)  
 Powdercoat (PC)  
 Satin Black (eBlack)  
 Chrome Plated (CP)



Low Profile Plate without Cylinder Hole  
 DS841 Polesium™  
 DS843 Metacom™  
 Finishes: Satin Stainless Steel (SSS)  
 Satin Silver (eSilver)  
 Satin Chrome Plate (SCP)  
 Powdercoat (PC)  
 Satin Black (eBlack)  
 Chrome Plated (CP)



Low Profile Plate with Cylinder Hole  
 DS840 Polesium™  
 DS842 Metacom™  
 Finishes: Satin Stainless Steel (SSS)  
 Satin Silver (eSilver)  
 Satin Chrome Plate (SCP)  
 Powdercoat (PC)  
 Satin Black (eBlack)  
 Chrome Plated (CP)



Mortised Pull without Cylinder Hole  
 DS889 Polesium™  
 Finish: Powdercoat (PC)



Mortised Pull with Cylinder Hole  
 DS888 Polesium™  
 Finish: Powdercoat (PC)









Flat External Door Plate  
 DS9 Stainless Steel  
 Finish: Satin Stainless Steel (SSS)



arch\_sales@doric.com.au  
 www.doric.com.au  
 02 9609 2555

## Hinged Door Lock Compatibility Table

	 45mm & 60mm Roller & Deadbolt	 23mm Narrow Stile Deadlock	 50mm & 60mm Latch & Deadbolt	 30mm Heavy Duty Latch & Deadbolt	 30mm Heavy Duty Multi-point Latch & Deadbolt	 30mm Latch & Deadbolt
	DS559	DN995	DN996	DS1265	DS1289	DS1295
DS1160/10	Escutcheons Only		■			
DS1300/10			■ 50mm	■	■	■
DS1400/10			■ 50mm	■	■	■
DS5300/10		■				
DS5400/10		■				