

Carey Series



Innovators of Hardware for Windows & Doors



Lever
12



Carey 12
Hinged Door Lever Set on Plate
 DS1300/12 Round End Plate Furniture
 DS1400/12 Square End Plate Furniture
For plate range contact Doric
 Material: 316 Stainless Steel
 Finish: Satin Stainless Steel (SSS)
 On Request: Polished Brass (PVD)



Carey 12
Commercial Lever Set on Plate
 DN5400/12 Round End Plate Series
 DN5300/12 Square End Plate Series
For plate range contact Doric
 Material: 316 Stainless Steel and Solid Brass
 Finish: Satin Stainless Steel (SSS)
 Satin Nickel (SNP)

Made To Order

Turns & Escutcheons



Thumb Turn
 DN303
 316 SS Cover
 Zinc Die Cast
 5mm Spindle



Emergency Release Indicator
 DN302
 316 SS Cover
 Zinc Die Cast
 5mm Spindle



Thumb Turn
 DN306
 316 SS Cover
 Zinc Die Cast
 5mm Spindle



Emergency Release
 DN317
 316 SS Cover
 Zinc Die Cast
 5mm Spindle



Round Euro Profile Escutcheon
 DN902
 316 SS Cover
 Zinc Die Cast
 54mm Diameter



Round Oval Escutcheon
 DN901
 316 SS Cover
 Zinc Die Cast
 54mm Diameter



DIF Turn
 DN305
 316 SS Cover
 Zinc Die Cast
 5mm Spindle



Privacy Bolt
 DN300
 Zinc Die Cast
 5mm Spindle



**Carey
Sliding Door Lock**

DS3010 Lockset with two cylinders
DS3011 Latchset
DS3012 Lockset with external cylinder
DS3015 Lockset with internal cylinder
DS3018 Dummy handle
Cover Material: Metacom™
Polesium™
Finish: Powdercoat (PC)
Chrome Plate
Satin Chrome



**Carey 12
Hinged Door Leverset on Rose**

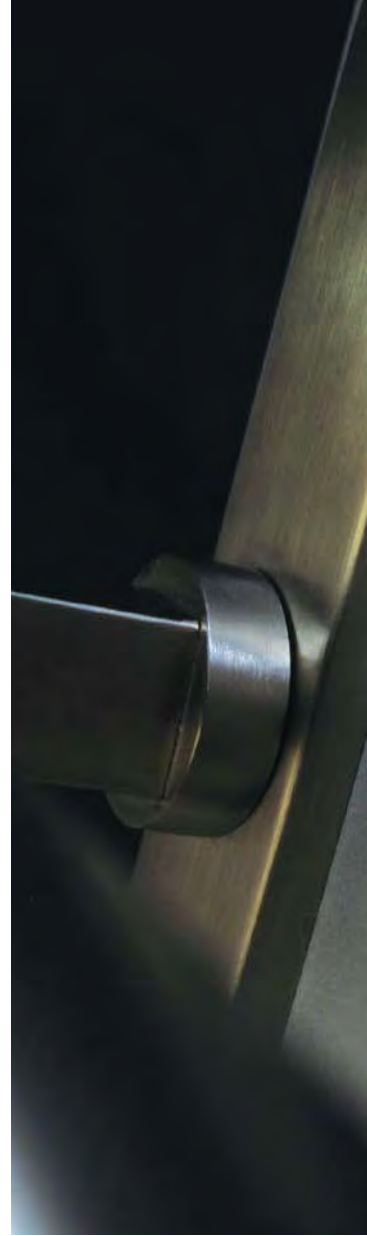
DS1160/12 Passage Set
DS1161/12 Privacy Set
DS1162/12 Dummy Set
Material: 316 Stainless Steel
Finish: Satin Stainless Steel (SSS)

Sets come complete with latch bolt, latch box, striker and all fixings where applicable



**Carey
Entrance Pull Handle**

DN97 Back to Back Fixing
600mm Length Overall
500mm Centre Fixings
Material: 316 Stainless Steel
Finish: Satin Stainless Steel (SSS)





Cylinder Options

Sliding Doors

DS155 5 Pin

Hinged Doors

DN601 5 Pin Oval
 DN603 Oval Turn
 DS186 5 Pin Euro
 DS1272 5 Pin Euro
 DS1266 5 Pin Euro & Turn



External Handles Sliding Door



Layback Handle without Cylinder Hole
 DS891 Metacom™
 DS891/2 Stainless Steel
 DS893 Polesium™
 Finishes: Satin Stainless Steel (SSS)
 Satin Silver (eSilver)
 Satin Chrome Plate (SCP)
 Powdercoat (PC)
 Satin Black (eBlack)
 Chrome Plated (CP)



Layback Handle with Cylinder Hole
 DS890 Metacom™
 DS890/2 Stainless Steel
 DS892 Polesium™
 Finishes: Satin Stainless Steel (SSS)
 Satin Silver (eSilver)
 Satin Chrome Plate (SCP)
 Powdercoat (PC)
 Satin Black (eBlack)
 Chrome Plated (CP)



Low Profile Plate without Cylinder Hole
 DS841 Polesium™
 DS843 Metacom™
 Finishes: Satin Stainless Steel (SSS)
 Satin Silver (eSilver)
 Satin Chrome Plate (SCP)
 Powdercoat (PC)
 Satin Black (eBlack)
 Chrome Plated (CP)



Low Profile Plate with Cylinder Hole
 DS840 Polesium™
 DS842 Metacom™
 Finishes: Satin Stainless Steel (SSS)
 Satin Silver (eSilver)
 Satin Chrome Plate (SCP)
 Powdercoat (PC)
 Satin Black (eBlack)
 Chrome Plated (CP)



Mortised Pull without Cylinder Hole
 DS889 Polesium™
 Finish: Powdercoat (PC)



Mortised Pull with Cylinder Hole
 DS888 Polesium™
 Finish: Powdercoat (PC)









Flat External Door Plate
 DS9 Stainless Steel
 Finish: Satin Stainless Steel (SSS)



arch_sales@doric.com.au
 www.doric.com.au
 02 9609 2555

Hinged Door Lock Compatibility Table

	 45mm & 60mm Roller & Deadbolt	 23mm Narrow Stile Deadlock	 50mm & 60mm Latch & Deadbolt	 30mm Heavy Duty Latch & Deadbolt	 30mm Heavy Duty Multi-point Latch & Deadbolt	 30mm Latch & Deadbolt
	DS559	DN995	DN996	DS1265	DS1289	DS1295
DS1160/12	Escutcheons Only		■			
DS1300/12			■ 50mm	■	■	■
DS1400/12			■ 50mm	■	■	■
DS5300/12		■				
DS5400/12		■				