

DR375

Double Roller Carriage



*80kg Weight Capacity



Doric
New Zealand

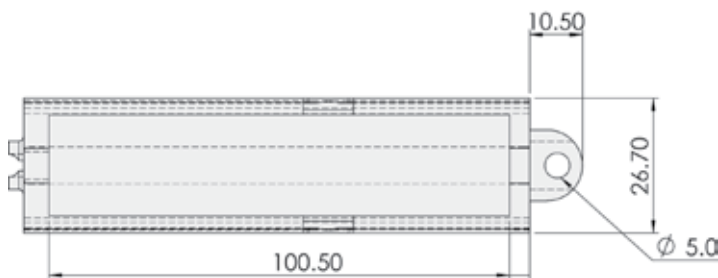
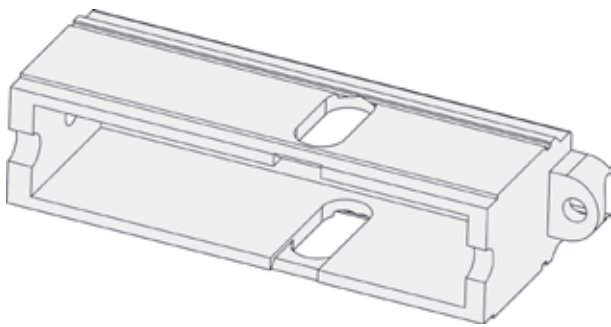
DR375 Double Roller Adjustable Carriage

The Doric DR375 Double Roller Carriage contains corrosion resistance properties and is suitable for all door applications. The DR375 provides ease of adjustment under load and greater structural integrity.

Features

- Engineered for smooth trouble free operation
- Fixed adjustment ensures sash will not drop over time
- Carriages are corrosion free
- Stainless steel adjustable internal housing
- Bearings are manufactured from triple "A" Grade hardened high carbon steel
- Tyres are injection moulded in one piece and manufactured from Delrin
- Door roller can be screw fixed into frames during assembly
- Tested to Australian Standards

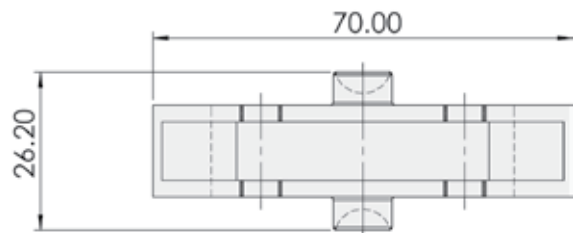
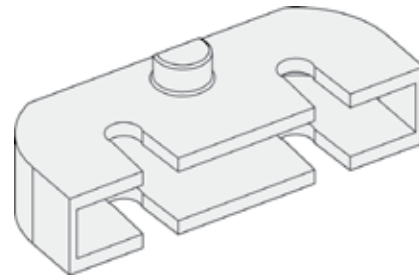
Outer Roller Housing



Technical Specifications

Materials:	Polymer housing & roller boogie. Stainless steel adjustable carriage
Max Load:	80kg (40kg per DR71 roller) 40kg (20kg per DR2/R6 roller)
Product Codes:	9037935 - DR375/NZ/2R6 (Std) 9037936 - DR375/NZ/71 - ZZ

Double Wheel Carriage



DR375