

A104

Heavy Duty Aluminium Fast Fix Hinge



A104 Heavy Duty Aluminium Fast Fix Hinge

Application:

- Suitable for aluminium & timber doors
- Suitable for both centre and front edged glazing systems

Hinges per door guide:

- A104 – Up to 2000 high x 900 x 100kg – 3 hinges
- A104 – Over 2000 high x 900 x 100kg – 4 hinges
- Minimum door thickness 40mm
- Recommendation that a minimum of 3 hinges be used with the top hinge located as high as possible

For excessive usage a fourth hinge maybe required.

Finish:

- Clear Anodised
- Black
- White
- Primrose
- Anotec Dark Grey

Fixing:

- Two directional
- Locator allows for faster fixing

Doric Product Codes:

9042151 – A104 (DH104) Hinge – Clear

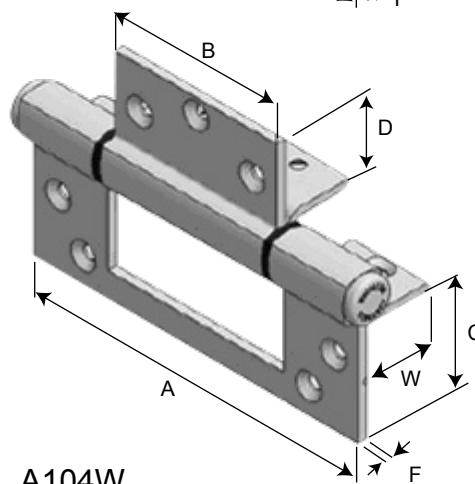
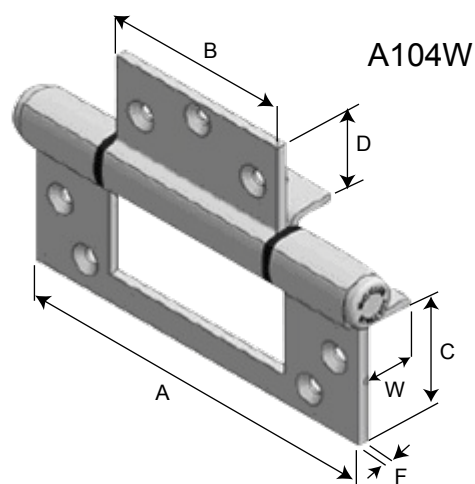
9042152 - A104 (DH104) Hinge – Black

9042153 - A104 (DH104) Hinge – White

9042154 - A104 (DH104) Hinge – Primrose

Technical Specifications

Alloy:	High Strength T.6 minimum tensile 254 mpa.
Pin Diameter:	6mm stainless steel
Bushes:	Nylon
Knuckle:	Squareline - heavy duty
Aluminium End Caps:	Pressed in, interference fit



Code #	A	B	C	D	W	F
					(wing width)	
A104	130	65	39	26	18	3.3
A104W	130	65	39	26	26	3.3